

Chicago IVDM-7002

Installation & Connections

Before attempting to connect, or operate this product, please read the manual completely.



TO REDUCE THE RISK OF ELECTRIC SHOCK, DO NOT REMOVE THE COVER (OR BACK).

NO USER-SERVICEABLE PARTS ARE INSIDE.
REFER SERVICING TO QUALIFIED SERVICE PERSONNEL.



This symbol indicates dangerous voltage inside the product that presents a risk of electric shock or personal injury.



This symbol indicates important instructions accompanying the product.

CAUTION: THIS UNIT HAS BEEN ADAPTED WITH AN INVISIBLE CLASS 1 LASER BEAM WHICH CAN CAUSE HAZARDOUS RADIATION EXPOSURE IF DIRECTED. BE SURE TO OPERATE THE UNIT CORRECTLY AS INSTRUCTED.

Caution:

This product satisfies FCC regulations when shielded cables and connectors are used to connect the unit to other equipment. To prevent electromagnetic interference with electric appliances, such as radios and televisions, use shielded cables and connectors for connections.

FCC NOTE (for U.S.A):

This equipment has been tested and found to comply with the limits for a Class B digital device, pursuant to Part 15 of the FCC rules. These limits are designed to provide reasonable protection against harmful interference in a residential installation. This equipment generates, uses and can radiate radio frequency energy and, if not installed and used in accordance with the instructions, may cause harmful interference to radio or television reception, which can be determined by turning the equipment off and on, the user is encouraged to try to correct the interference by one or more of the following measures.

- Reorient or relocate the receiving antenna.
 - Increase the separation between the equipment and receiver.
 - Connect this equipment into an outlet on a circuit different from that to which the receiver is connected.
 - Consult the dealer or an experienced radio/TV technician for help.
- This class B digital apparatus meets all requirements of the Canadian Interference - Causing Equipment Regulations.

CLASS 1	LASER PRODUCT
KLASSE 1	LASER PRODUKT
LUOKAN 1	LASER LAITE
KLASS 1	LASER APPARAT

WARNING

To reduce the risk of fire or shock hazard, do not expose this DVD player to rain or moisture.

CAUTION

THIS PRODUCT UTILIZES A LASER. USE OF CONTROLS OR ADJUSTMENTS OR PERFORMANCE OF PROCEDURES OTHER THAN THOSE SPECIFIED HEREIN MAY RESULT IN HAZARDOUS RADIATION EXPOSURE. DO NOT OPEN COVER AND DO NOT REPAIR YOURSELF. REFER SERVICING TO QUALIFIED PERSONNEL.

Caution

Install the control unit away from moisture, heat sources, and places exposed to strong magnetic or electric fields. When condensation forms inside the player or on the surface of the disc due to sudden temperature changes from cold to hot, the player may not operate correctly. If this occurs, leave the player at room temperature for about 2 hours or until the player becomes operational.

Warning

Never disassemble the main unit in any way. Electric shock or exposure to an invisible laser beam may result. Do not look inside the DVD player.

Installation

Install the in-dash unit so that the driver cannot view video while the vehicle is in motion. The driver should park the vehicle in a safe area and apply the parking brake before viewing video on the monitor.

Batteries

The batteries used in the remote control contain the chemical that are harmful to the environment. Properly dispose of batteries.

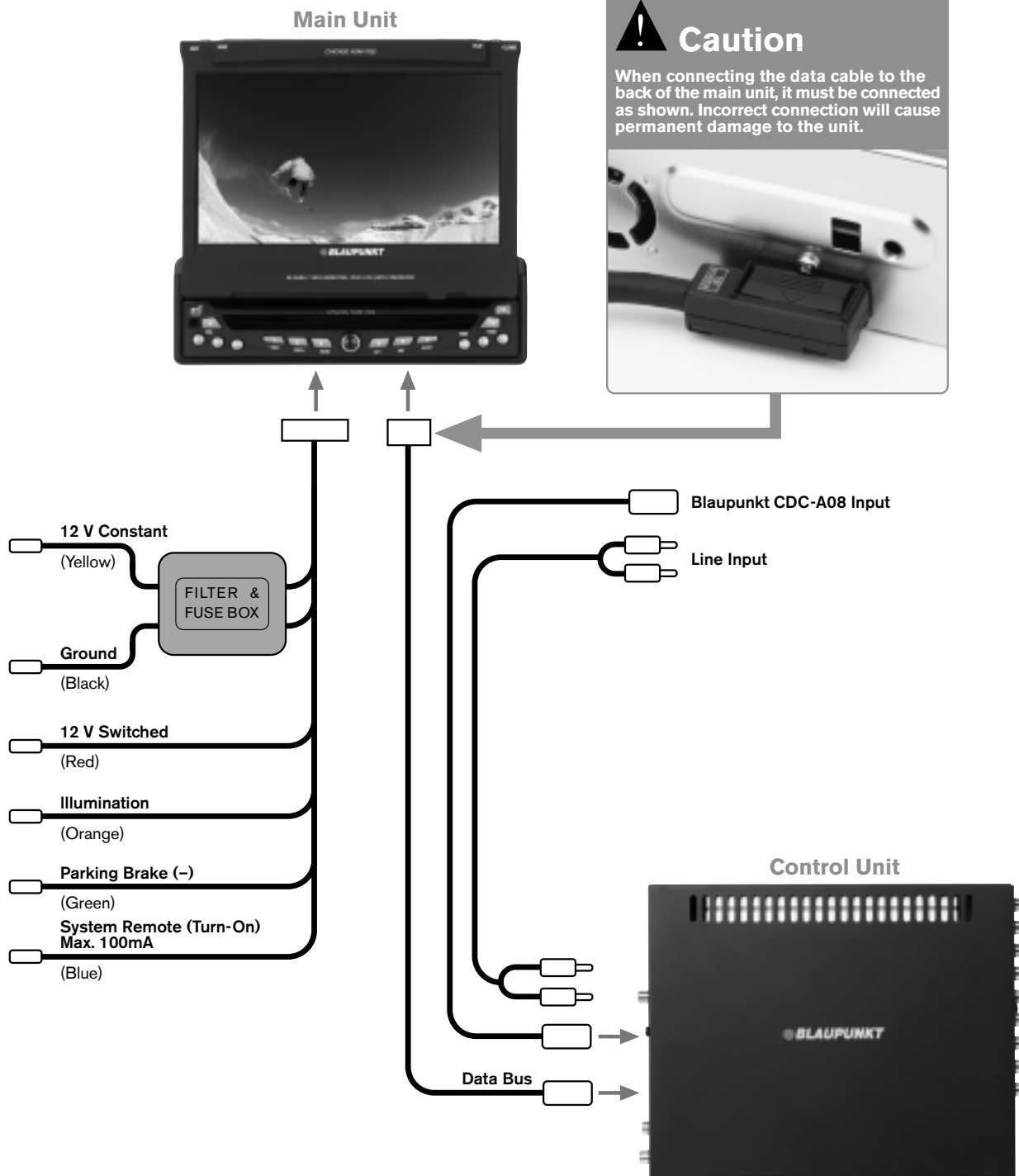
Handling the Main Unit

For safety reasons,

- Do not use benzene or other solvents when cleaning.
- Wipe the main unit with a soft cloth.

Chicago IVDM-7002

Main Unit & Control Unit Connections

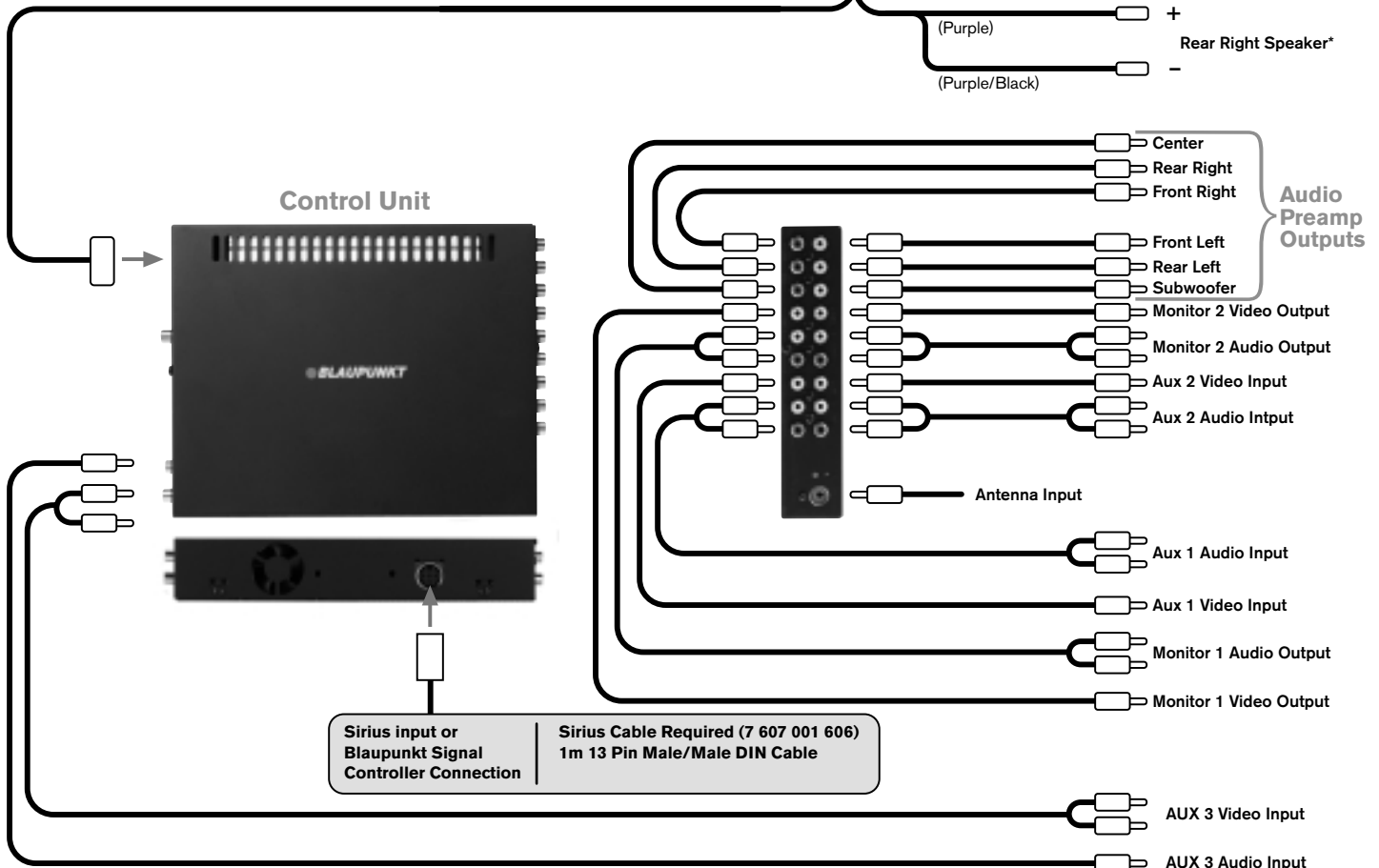
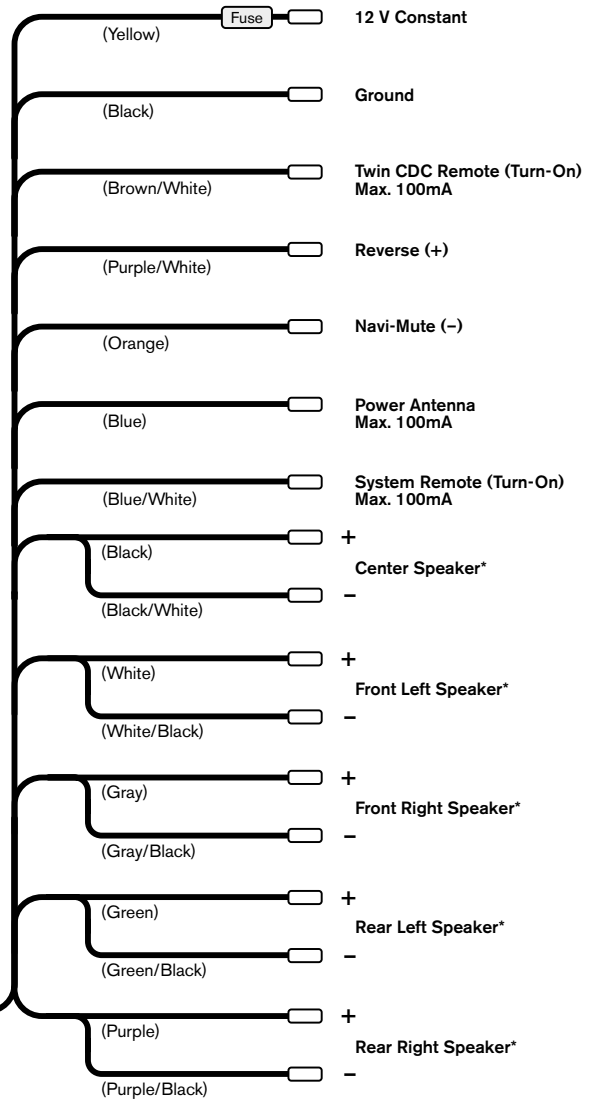


Chicago IVDM-7002 Control Unit

Input & Output Connections

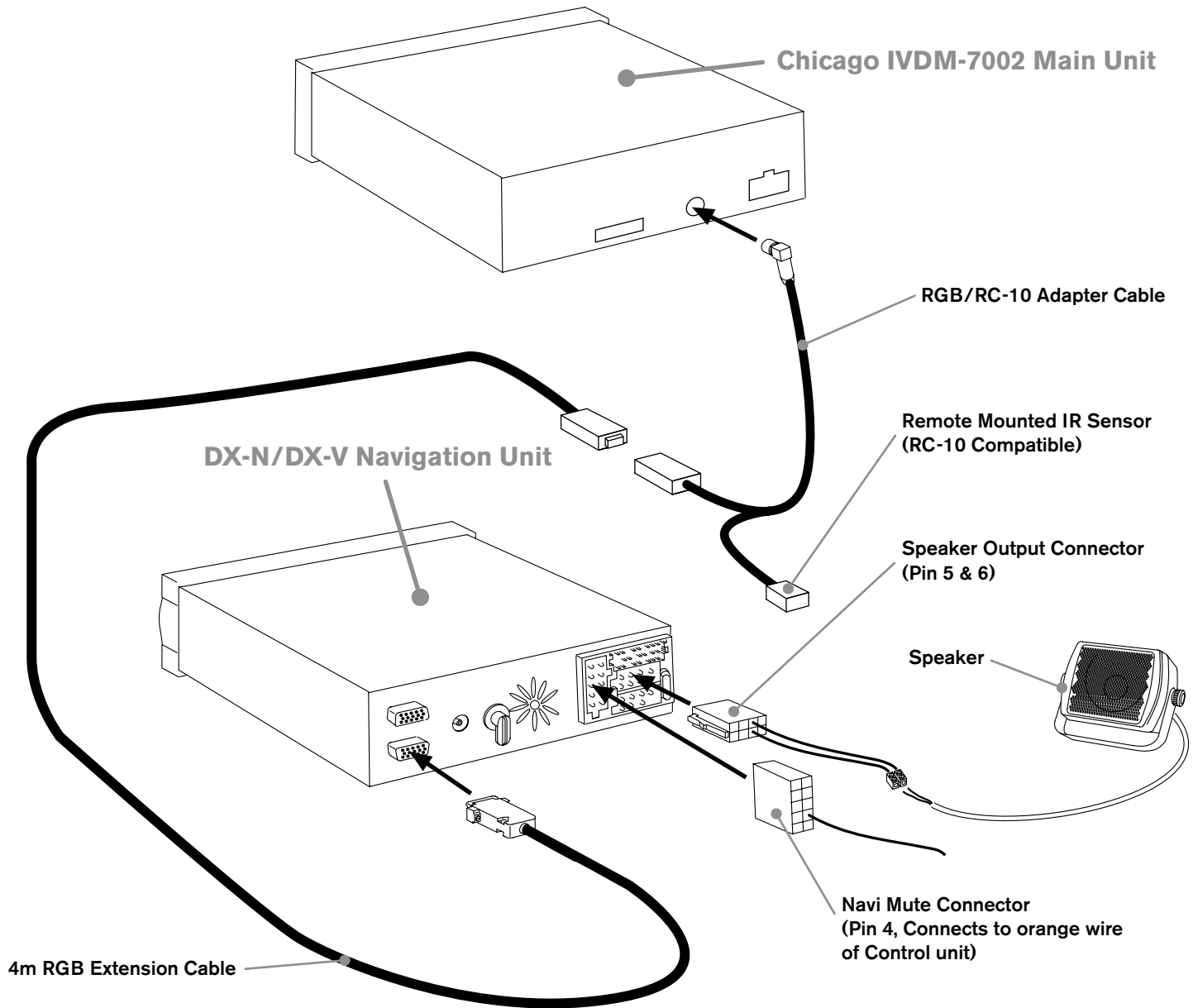
! *Caution

- DO NOT connect any speaker wires to the metal body or chassis of the vehicle.
- DO NOT connect the speaker common (-) wires to each other.
- Connect each speaker wire directly to each speaker terminal.
- All speaker common (-) wires must remain floating. ie - no common connections or connection to vehicle ground.
- Connect each pair of speaker leads only to a single speaker (or speaker system) that has an impedance of at least 4 ohms, as well as a 50-watt power-handling capability.
- DO NOT connect speaker leads to any inputs on external amplifiers. This will cause damage to the internal amplifier of this unit.



Chicago IVDM-7002

Main Unit to DX-N/DX-V Navigation Connections



Navigation Audio Kit - (7 607 001 607)

Kit includes:

- RGB/RC-10 Adapter Cable (7 607 001 609)
- 4 meter RGB Extension Cable (7 607 001 602)
- Speaker Output Connector (8 604 492 515)
- Speaker (8 618 842 586)
- Navi Mute Connector (7 607 001 608)